

# Power Inductor CDBH Series



## ■ Features

- ◎ Magnetically shielded construction.
- ◎ Storage temperature range:  $-40^{\circ}\text{C}\sim+105^{\circ}\text{C}$ .
- ◎ Operating temperature range:  $-40^{\circ}\text{C}\sim+125^{\circ}\text{C}$ (including coil's self-heat).
- ◎ RoHS Compliance.

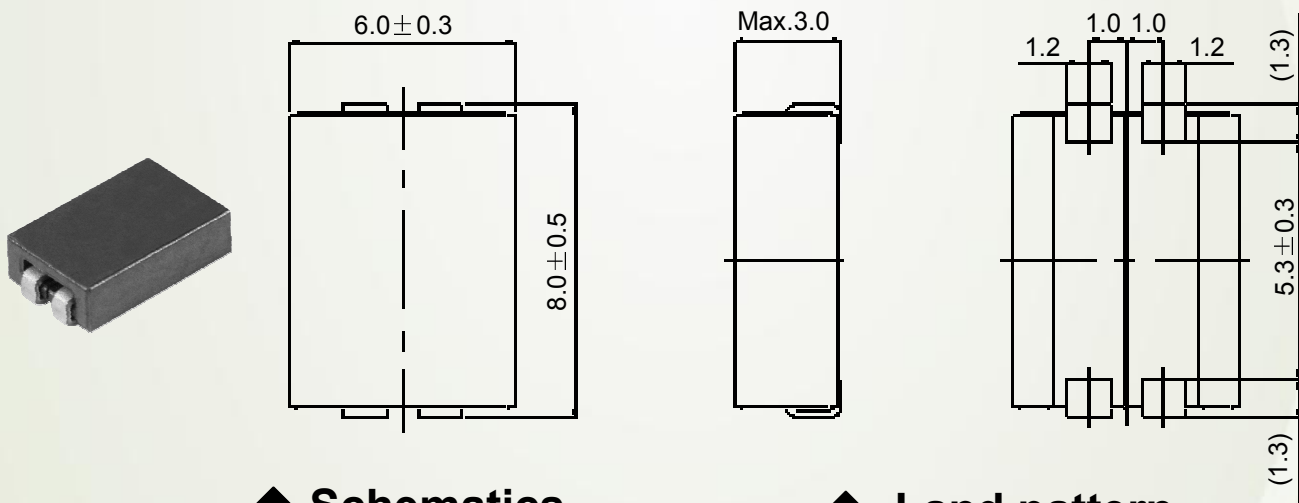
## ■ Applications

Ideally used in Server & PC, etc. (Multiple chopper DC-DC converter, Various decentralized Power Supplier.)

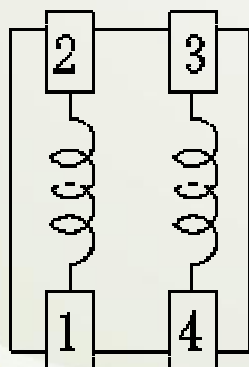
## ■ Shapes and Dimensions/Recommended Land Patterns(mm)

### ◆ CDBH6D28

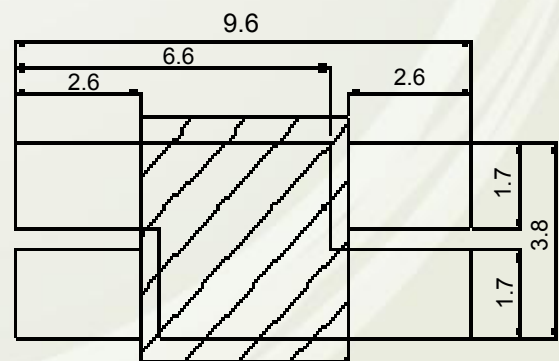
#### ◆ Dimensions



#### ◆ Schematics



#### ◆ Land pattern

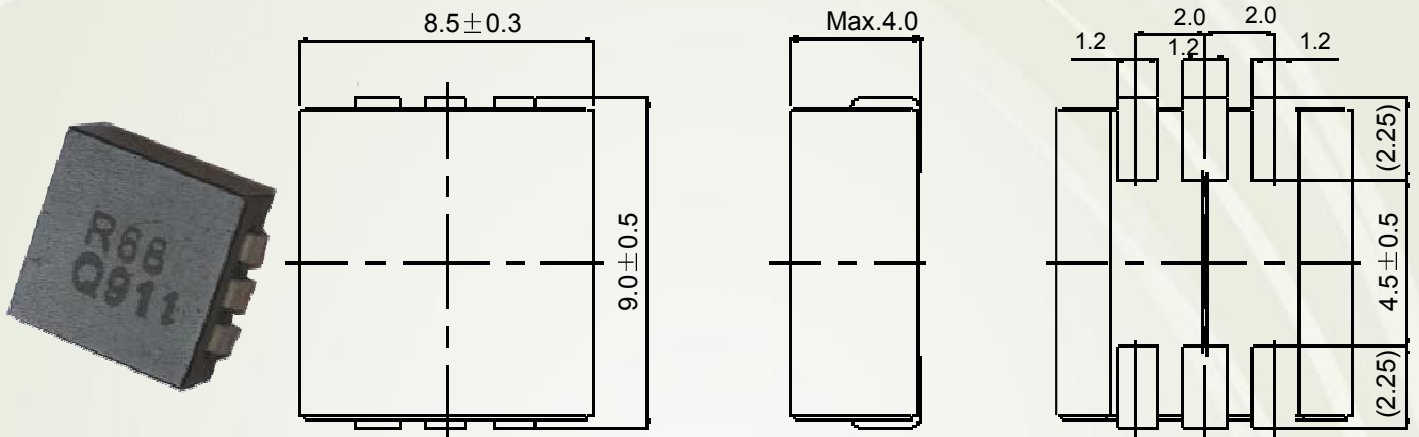


# Power Inductor CDBH Series

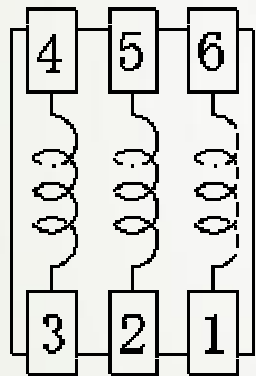


## ◆ CDBH8D38

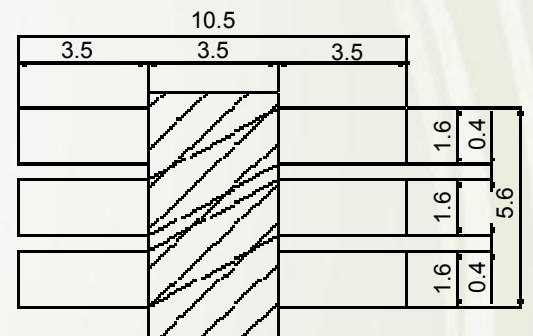
### ◆ Dimensions



### ◆ Schematics

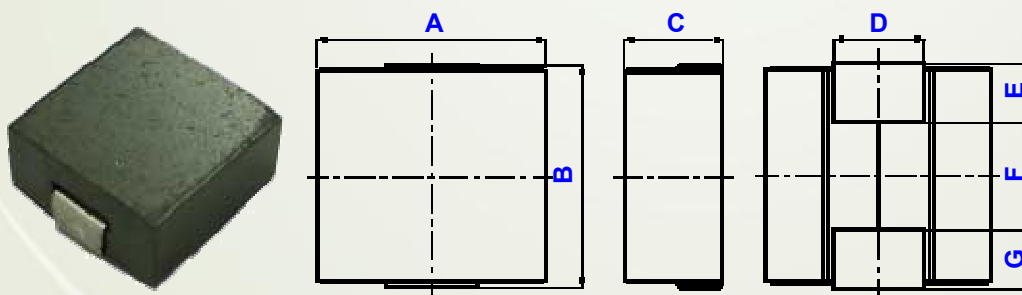


### ◆ Land pattern



## ◆ CDBH10D43 、 CDBH12D58

### ◆ Dimensions



### ◆ Land pattern

Part No.	A	B	C	D	E	F	G	H	I	J
CDBH10D43	10.5	10.0	4.5	4.2	3.0	4.6	3.0	5.0	4.0	12.0
CDBH12D58	12.5	12.5	6.0	4.2	3.0	7.3	3.0	5.0	4.0	12.0

# Power Inductor CDBH Series



## ■Electrical Characteristics specification.

Sumida P/N	Inductance ( $\mu$ H) at 100KHz	D.C.R. ( $m\Omega$ ) ※1	Saturation Current (A) ※2		Temperature Rise Current (A) ※3
CDBH6D28NP-R47MC	0.47 $\pm$ 20% [1-3]	0.75 (0.60) [(1-2),(3-4)]	9.5 (1-3) [at 20°C]	7.0 (1-3) [at 125°C]	21.0 [1-3]
CDBH8D38NP-R56MC	0.56 $\pm$ 20% [1-4]	1.13 (0.90) [(1-6),(2-5), (3-4)]	17.0 (1-4) [at 20°C]	13.0 (1-4) [at 125°C]	17.5 [1-4]
CDBH10D46NP-R15NC	0.15 $\pm$ 30%	0.63 (0.50)	29 [at 20°C]	25 [at 105°C]	55
CDBH12D58NP-R20NC	0.20 $\pm$ 30%	0.78 (0.62)	44 [at 20°C]	34 [at 105°C]	50

※1、 ( ) is typical value.

※2、 Saturation Current: This indicates the value of D.C. current when the inductance decreases to 75% of its nominal value.

※3、 Temperature Rise Current: The actual current when temperature of coil becomes  $\Delta T=40^{\circ}\text{C}$ . ( $T_a=20^{\circ}\text{C}$ )

### For More Information

#### Hong Kong

Tel.+852-2880-6688  
FAX.+852-2565-9600

#### Shanghai

Tel.+86-021-58363299  
FAX.+86-021-58363266

#### Shenzhen

Tel.+86-755-82910228  
FAX.+86-755-82910338

#### Taipei

Tel.+886-2-27065228  
FAX.+886-2-27065229

#### Tokyo

Tel.+81-3-5202-7112  
FAX.+81-3-5202-7105

#### Seoul

Tel.+82-2-6237-0777  
FAX.+82-2-6237-0778

#### Singapore

Tel.+65-6296-3388  
FAX.+65-6296-3390

#### Malaysia

Tel.+60-3-8733-0900  
FAX.+60-3-8737-7384

#### Chicago

Tel.+1-847-545-6700  
FAX. +1-847-545-6720

#### California

Tel.+1-408-321-9660  
FAX. +1-408-321-9308