

Power Inductor CDEIR85ME



■ Features

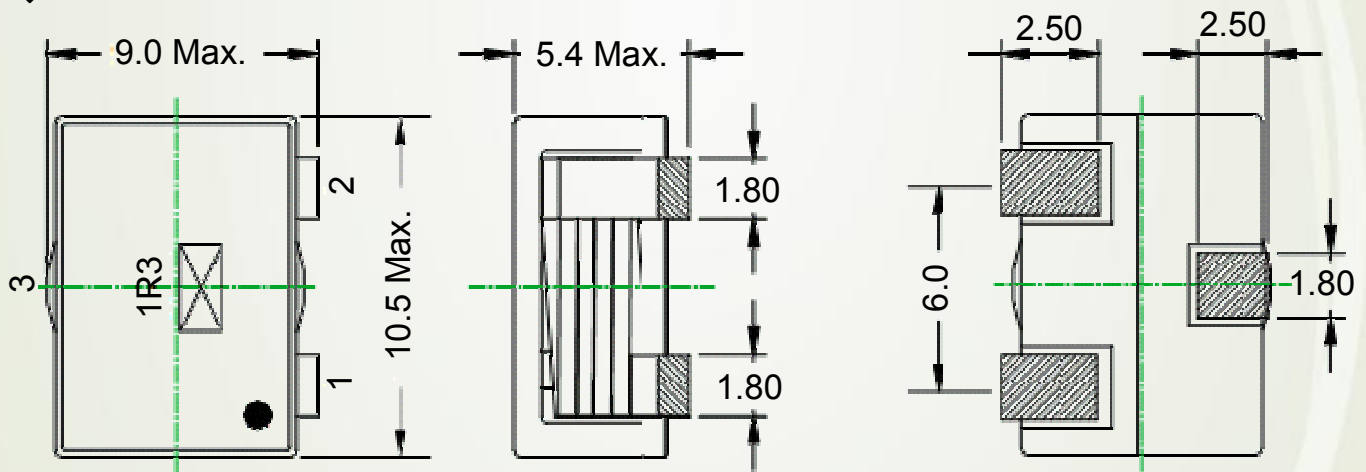
- ⊙ Magnetically shielded construction.
- ⊙ Storage temperature range: $-40^{\circ}\text{C}\sim+125^{\circ}\text{C}$.
- ⊙ Operating temperature range: $-40^{\circ}\text{C}\sim+125^{\circ}\text{C}$ (including coil's self-heat).
- ⊙ RoHS Compliance.

■ Applications

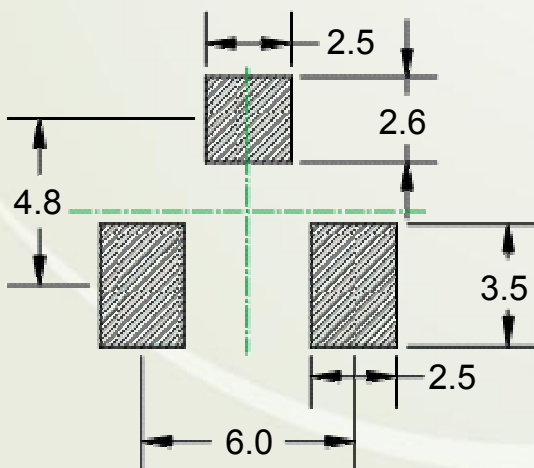
Ideally used in Notebook、PDA and other portable device.

■ Shapes and Dimensions/Recommended Land Patterns(mm)

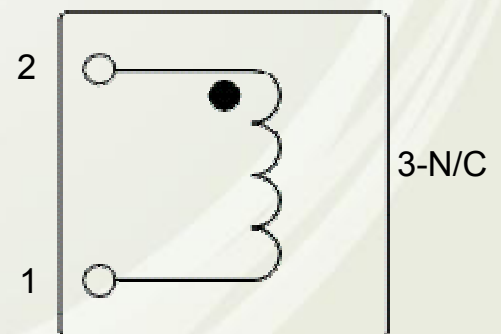
◆ Dimensions



◆ Land pattern



◆ Schematics (Bottom)



Power Inductor CDEIR85ME



■Electrical Characteristics specification.

Sumida P/N	Inductance (μ H) at 100KHz	D.C.R. ($m\Omega$) Max. (Typ.) at 20°C	Saturation Current (A) ※1	Temperature Rise Current (A) ※2
CDEIR85ME-1R3MC	1.3 \pm 20%	2.6 (2.2)	13.4	15.3

※1、 Saturation Current: This indicates the value of DC current when the inductance decreases to 75% of its nominal value.

※2、 Temperature Rise Current: The actual current when temperature of coil becomes $\Delta T=40^{\circ}\text{C}$. ($T_a=20^{\circ}\text{C}$)

For More Information

Hong Kong

Tel.+852-2880-6688
FAX.+852-2565-9600

Shanghai

Tel.+86-021-58363299
FAX.+86-021-58363266

Shenzhen

Tel.+86-755-82910228
FAX.+86-755-82910338

Taipei

Tel.+886-2-27065228
FAX.+886-2-27065229

Tokyo

Tel.+81-3-5202-7112
FAX.+81-3-5202-7105

Seoul

Tel.+82-2-6237-0777
FAX.+82-2-6237-0778

Singapore

Tel.+65-6296-3388
FAX.+65-6296-3390

Malaysia

Tel.+60-3-8733-0900
FAX.+60-3-8737-7384

Chicago

Tel.+1-847-545-6700
FAX. +1-847-545-6720

California

Tel.+1-408-321-9660
FAX. +1-408-321-9308